

ASSEMBLY INSTRUCTION

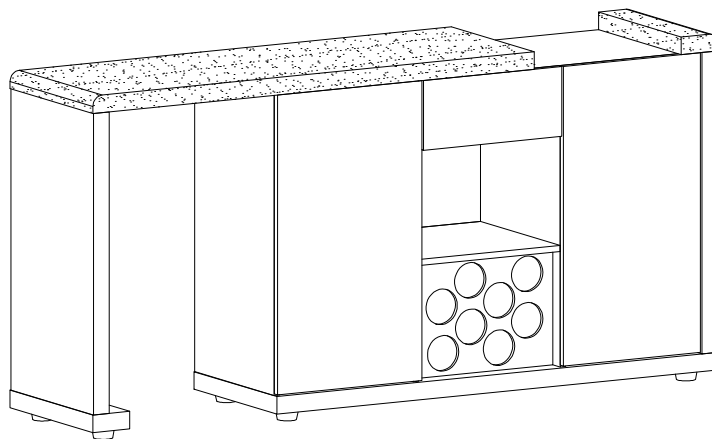
PLEASE READ BEFORE ASSEMBLING!

Tip #1: Make sure you've taken all the pieces and hardware out of its packaging before discarding the box.

Tip #2: Using page 2 and/or page 3 of instruction manual make sure all pieces and hardware are accounted for.

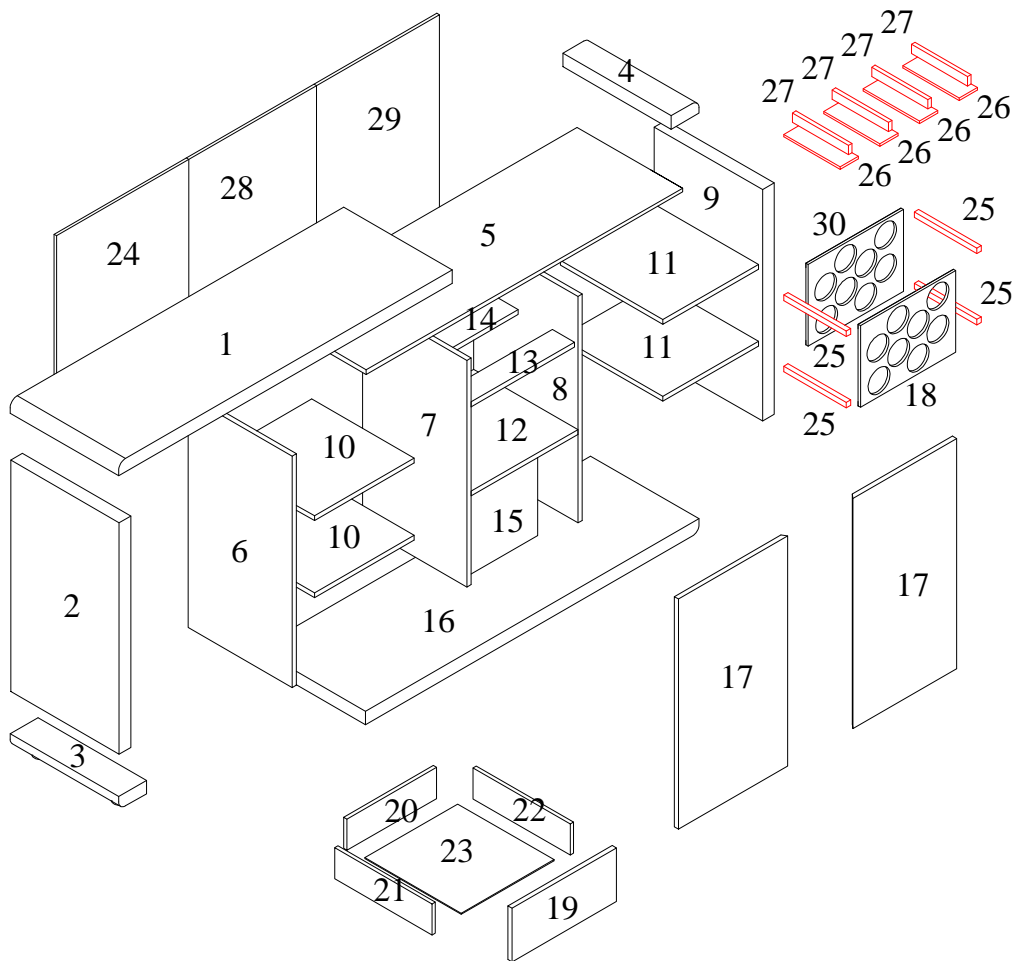
Tip #3: Read manual before assembling, it helps!

ITEM#: 151367



PARTS IDENTIFICATION

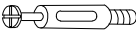


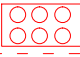





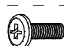
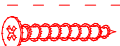
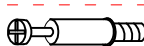









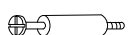


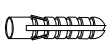


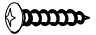


ITEM#: 151367



(1)	1pc	(11)	2pcs	(21)	1pc
(2)	1pc	(12)	1pc	(22)	1pc
(3)	1pc	(13)	1pc	(23)	1pc
(4)	1pc	(14)	1pc	(24)	1pc
(5)	1pc	(15)	1pc	(25)	4pcs
(6)	1pc	(16)	1pc	(26)	4pcs
(7)	1pc	(17)	2pcs	(27)	4pcs
(8)	1pc	(18)	1pc	(28)	1pc
(9)	1pc	(19)	1pc	(29)	1pc
(10)	2pcs	(20)	1pc	(30)	1pc

HARDWARE IDENTIFICATION

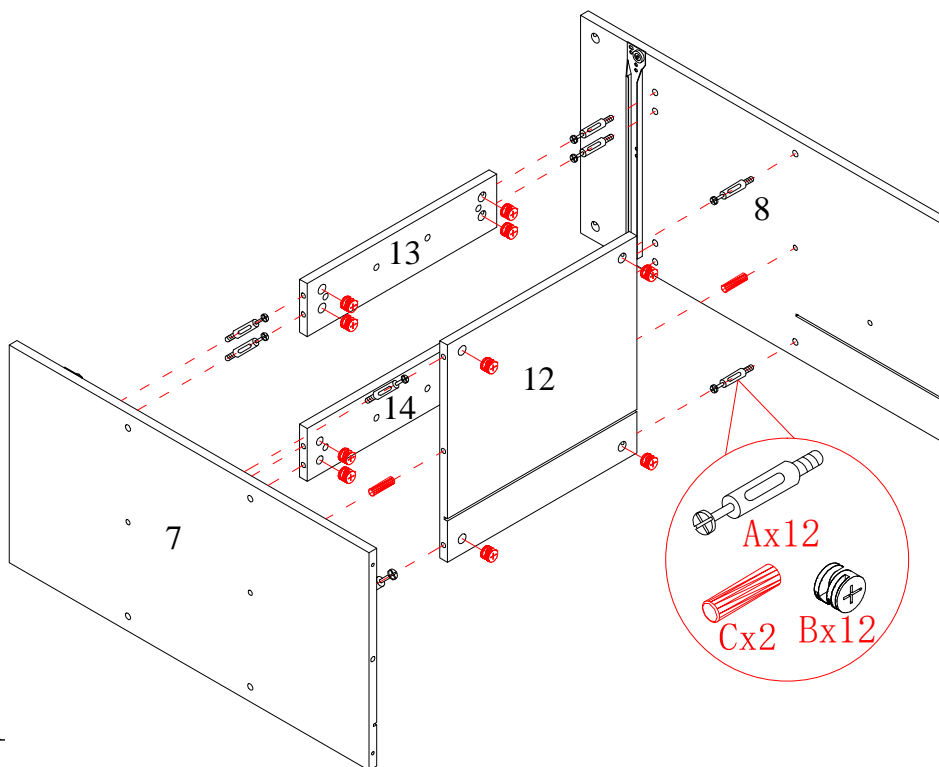
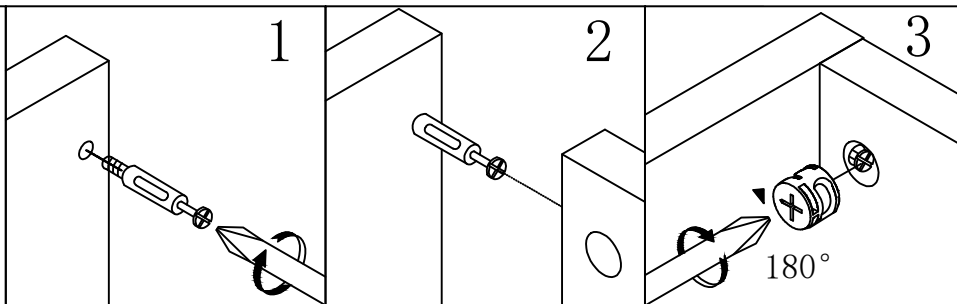
ITEM#: 151367

A		L29	36pcs
B		Ø15	36pcs
C		Ø8x25	23pcs
D		Ø20	14pcs
E		M7x58	4pcs
F		Ø8xØ16x2	6pcs
G		Ø4x50	6pcs
H		Ø55x25H	7pcs
I			54pcs
J		M6x35	8pcs
K		Ø4x30	12pcs
L		L20	4pcs
M		Ø12	4pcs
N		301A	2pcs
O		Ø4x16	16pcs
P		301C	2pcs
Q		M8x70	2pcs
R			2pcs
S		M8	2pcs
T		Ø45	2pcs
U		M13	1pc
V		L24	2pcs
W		Ø12	2pcs
X		M8x30	7pcs
Y		Ø8x40	1pc
Z		Ø12x12x1	2pcs
A1		Ø5x40	1pc
B1		Ø4x25	1pc
C1		197×5	1pc
D1		Note: For securing please apply to wood dowel first before inserting into panel	1pc

ASSEMBLY INSTRUCTION

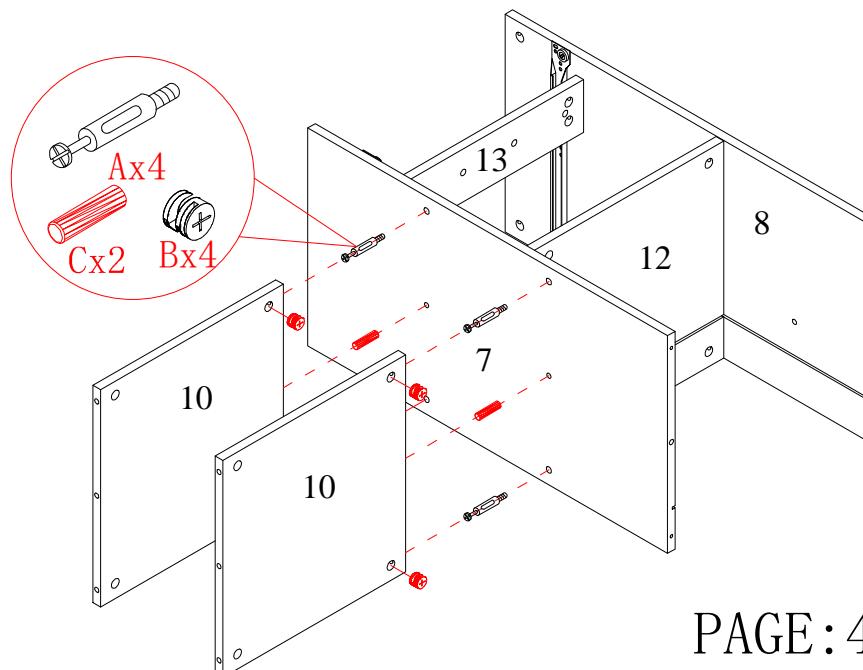
ITEM#: 151367

HOW TO



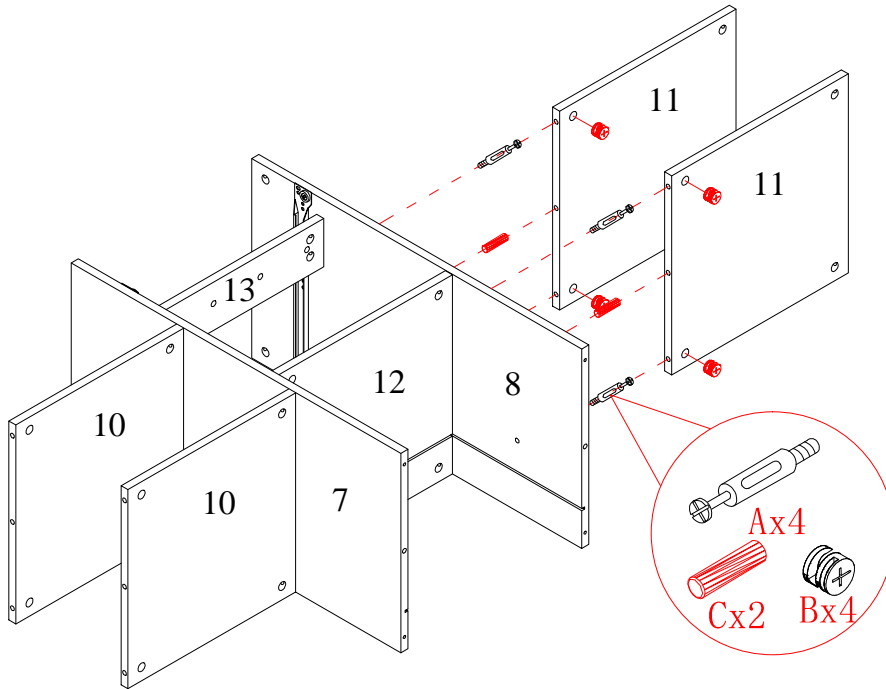
STEP1

STEP2



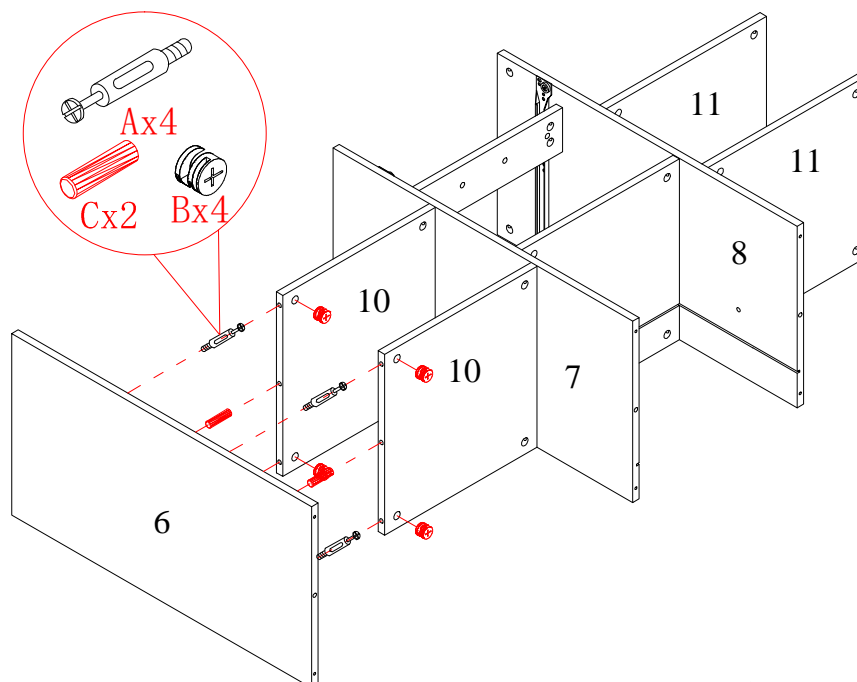
ASSEMBLY INSTRUCTION

ITEM#: 151367



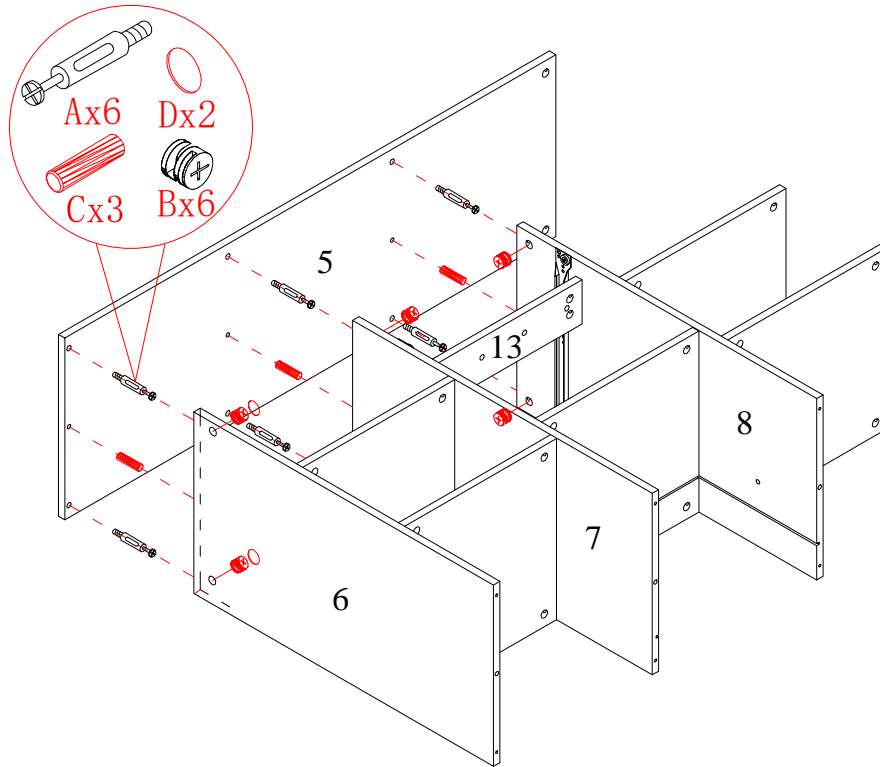
STEP3

STEP4



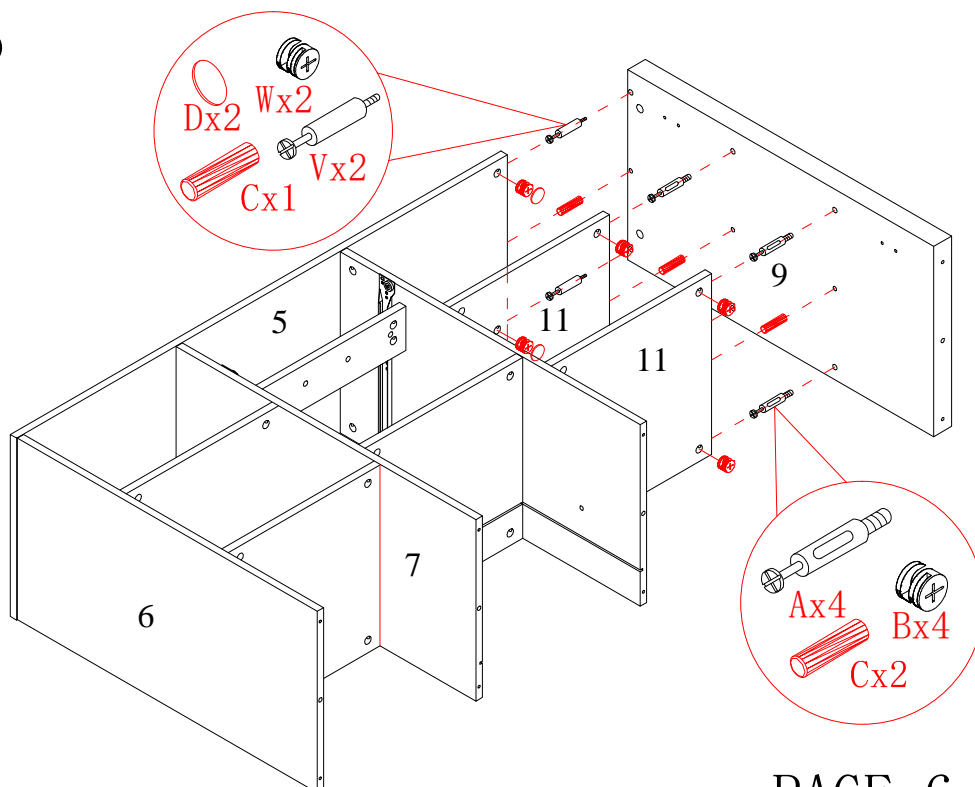
ASSEMBLY INSTRUCTION

ITEM#: 151367



STEP5

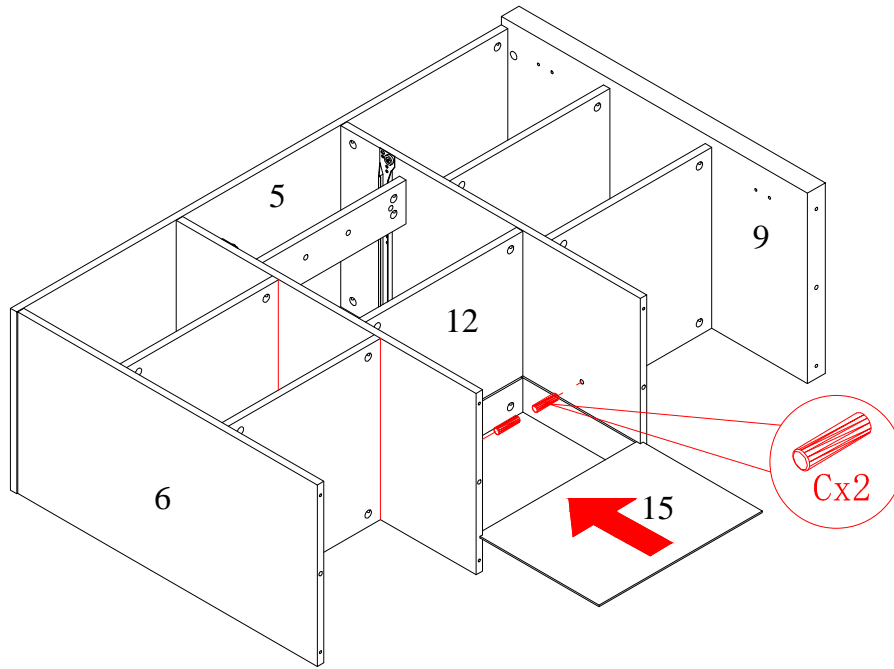
STEP6



PAGE:6 OF 15

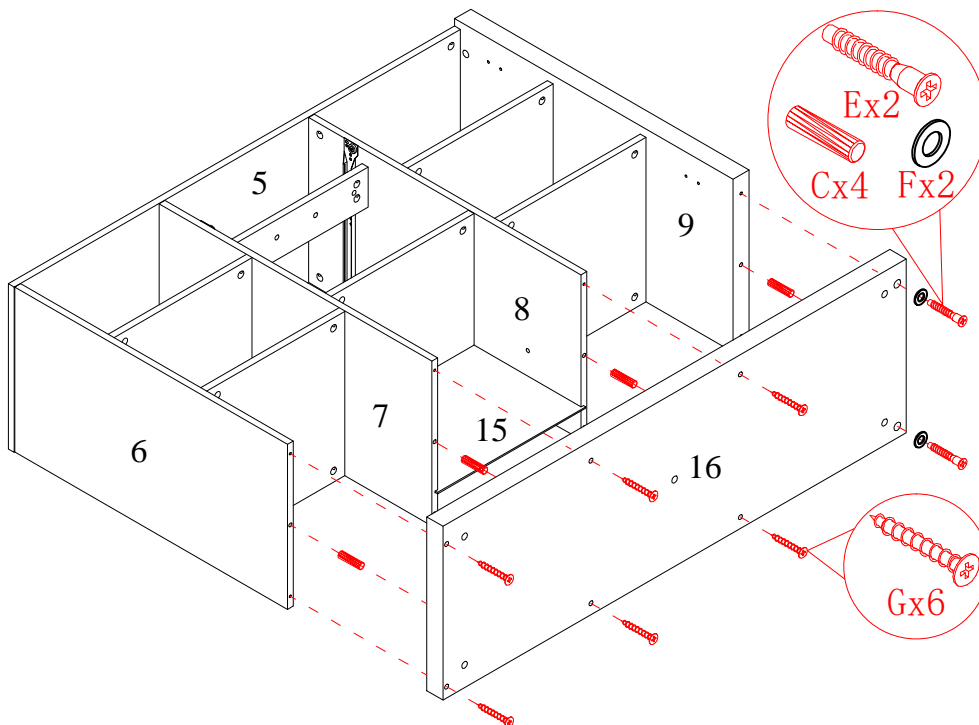
ASSEMBLY INSTRUCTION

ITEM#: 151367



STEP7

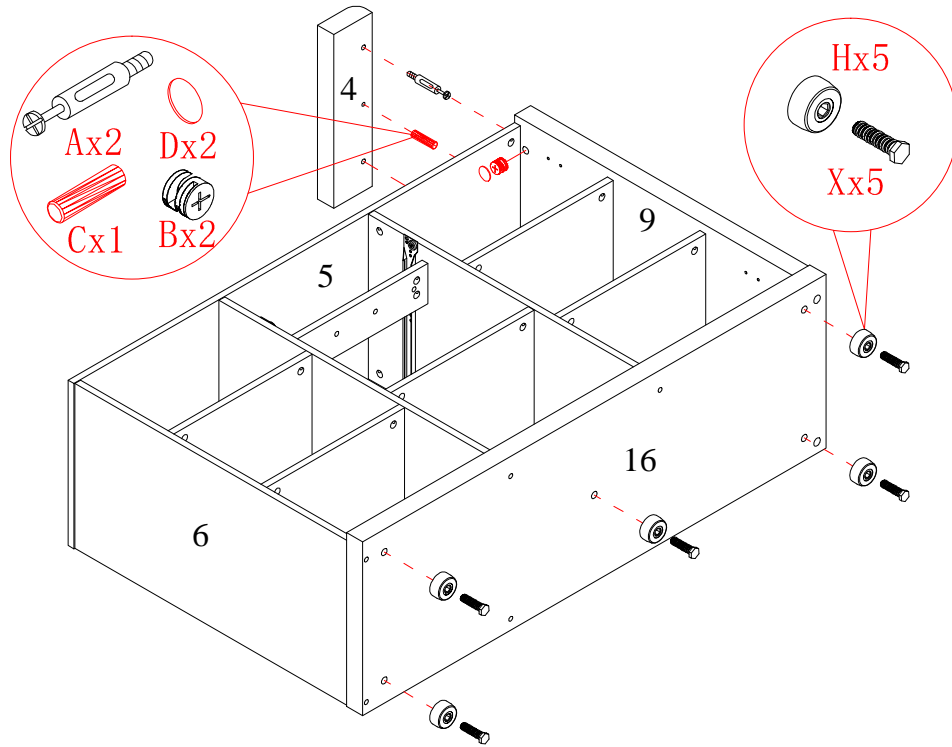
STEP8



PAGE:7 OF 15

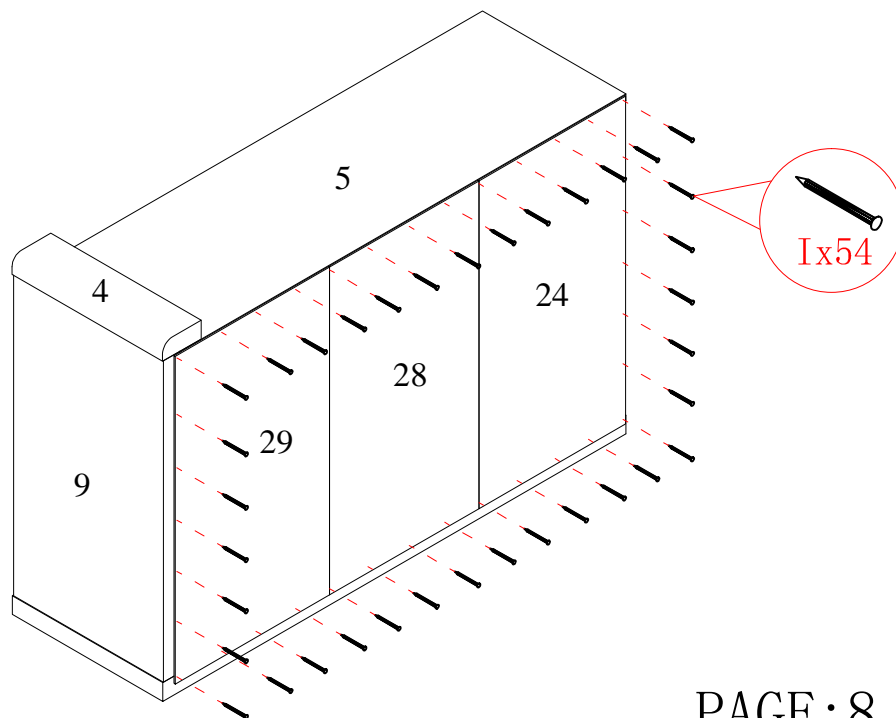
ASSEMBLY INSTRUCTION

ITEM#: 151367



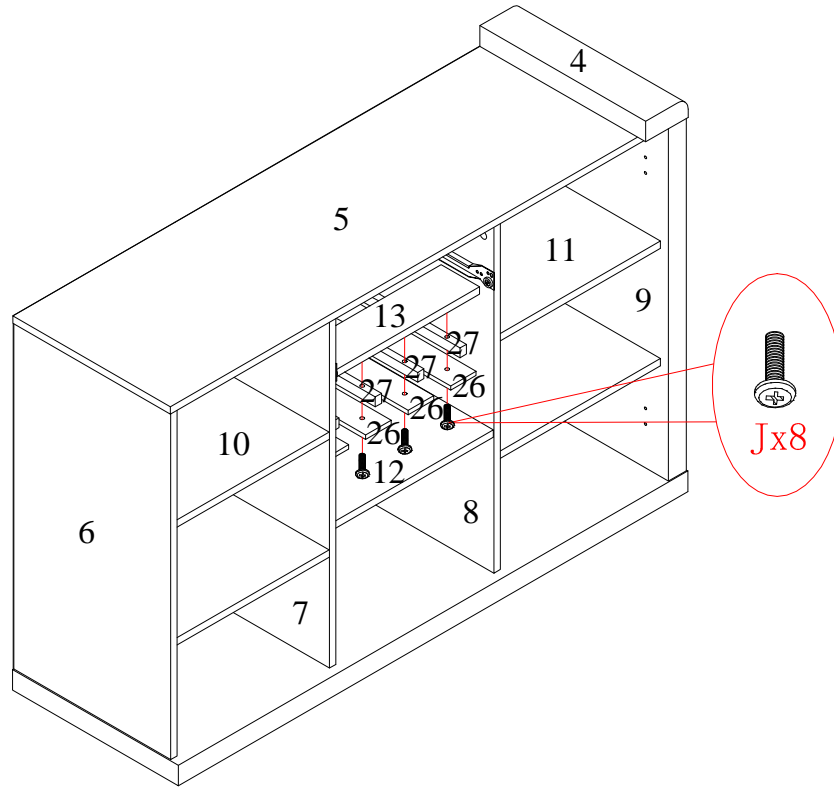
STEP9

STEP10



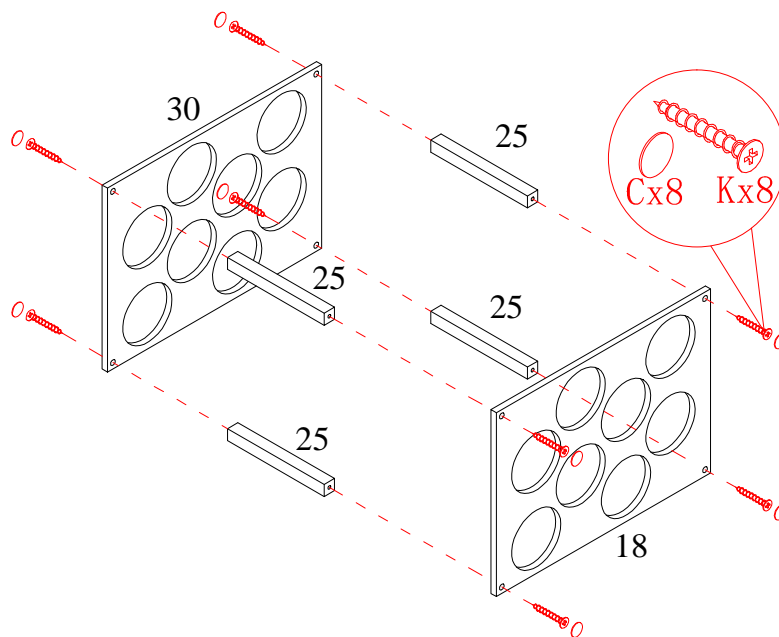
ASSEMBLY INSTRUCTION

ITEM#: 151367



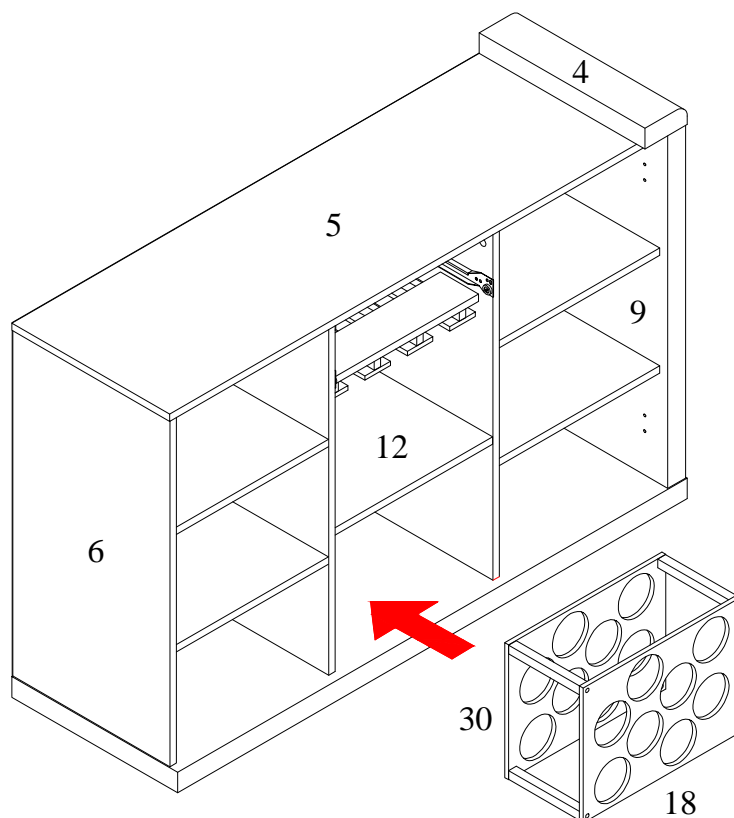
STEP11

STEP12



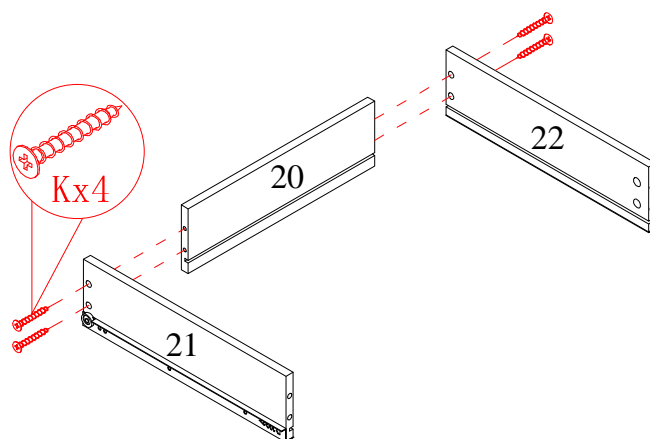
ASSEMBLY INSTRUCTION

ITEM#: 151367



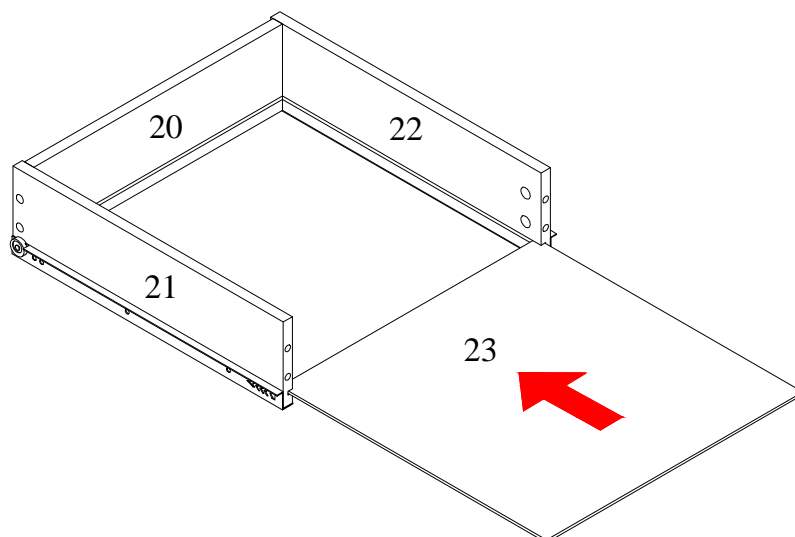
STEP13

STEP14



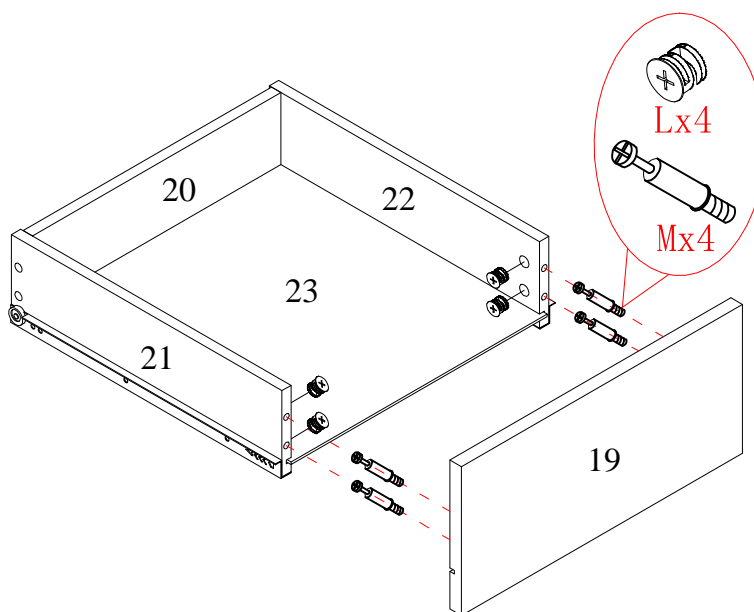
ASSEMBLY INSTRUCTION

ITEM#: 151367



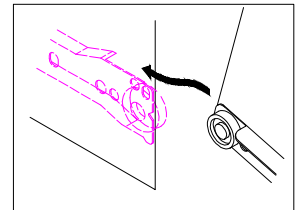
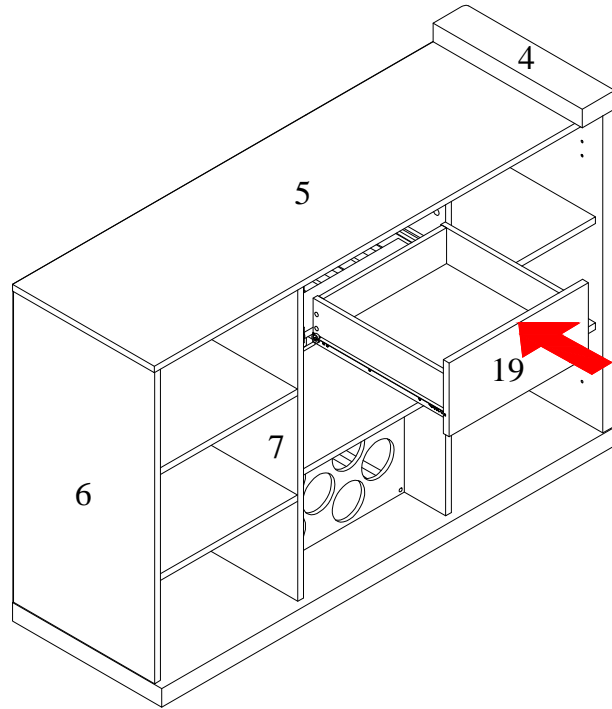
STEP15

STEP16



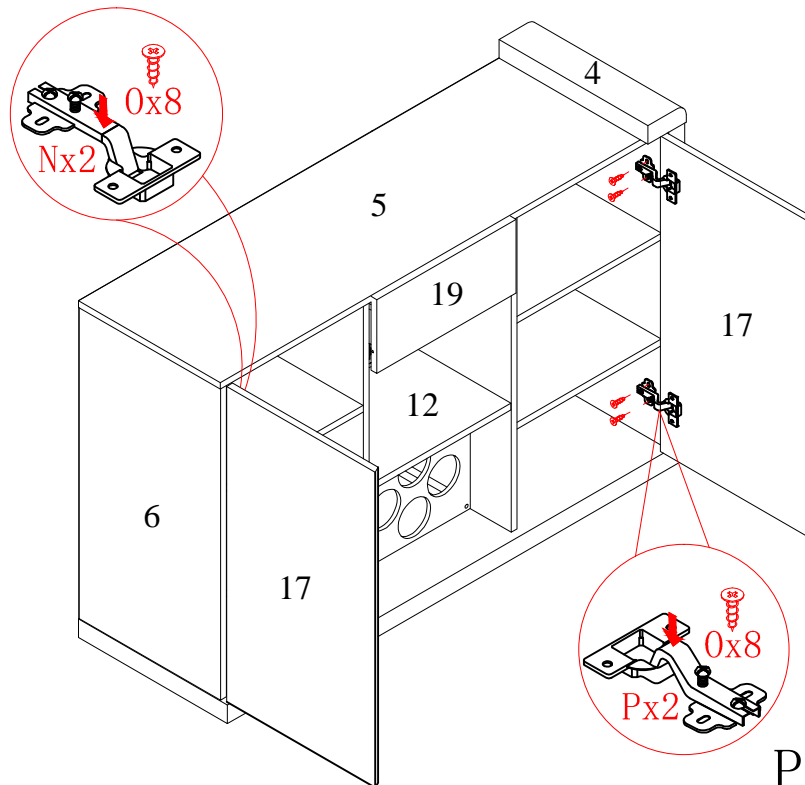
ASSEMBLY INSTRUCTION

ITEM#: 151367

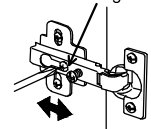


STEP 17

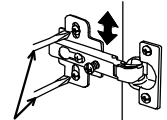
STEP 18



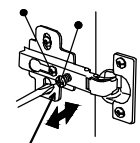
To adjust the door in or out, loosen this screw and push the door further in or push further out then retighten screws.



To adjust the door vertically, loosen the top and bottom screws, push the door up or down as necessary, then retighten screws.



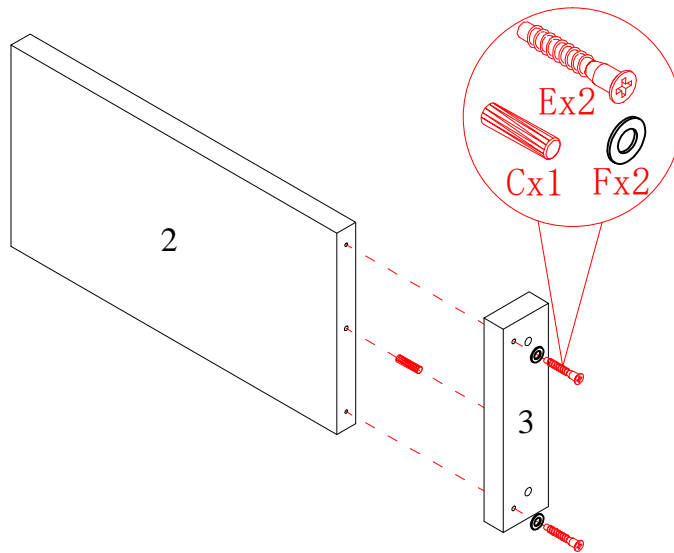
To adjust the door left/right, turn this screw clockwise to move this corner of the door toward the frame, or counterclockwise to move door away from the frame.



PAGE: 12 OF 15

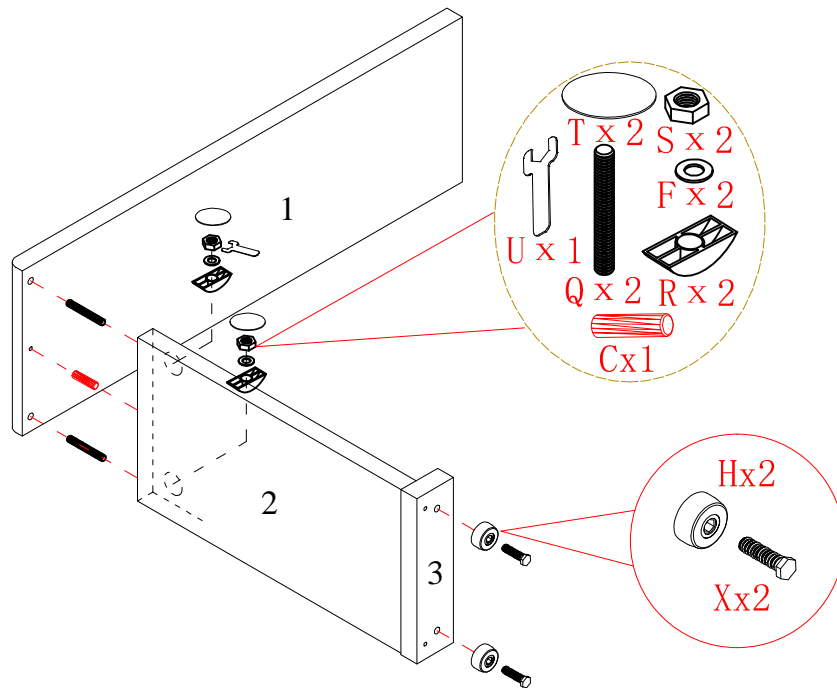
ASSEMBLY INSTRUCTION

ITEM#: 151367



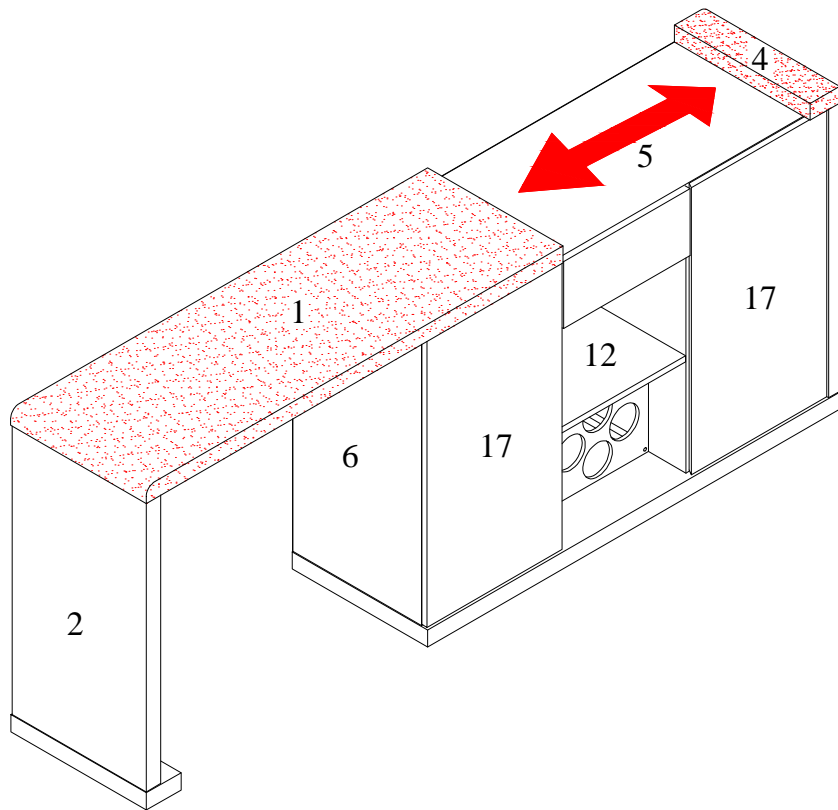
STEP19

STEP20



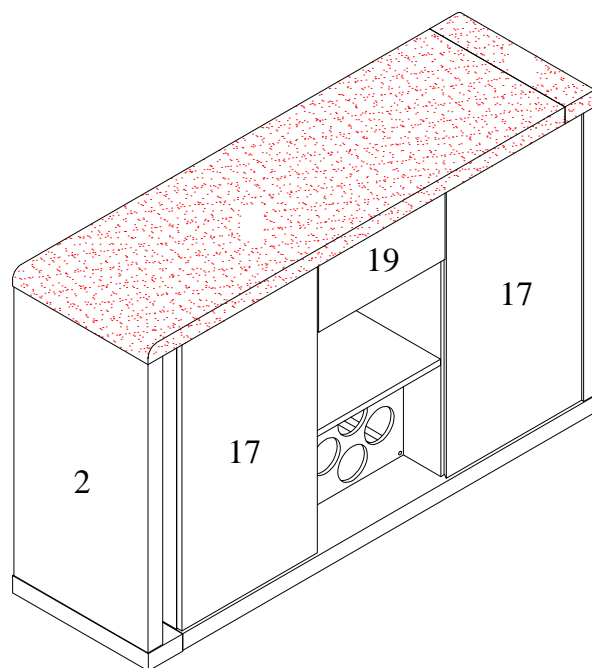
ASSEMBLY INSTRUCTION

ITEM#: 151367



STEP21

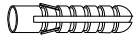
STEP22



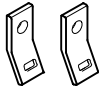
ANTI-TIPPING STRAP INSTRUCTION

HARDWARE (INCLUDED) :

TOOLS NEEDED (NOT INCLUDED) :



DRYWALL ANCHOR $\phi 8 \times 40$ X 1PC



METAL BRACKETS $12 \times 12 \times 1$ X 2PCS



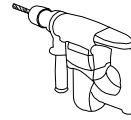
DRYWALL SCREW $\phi 5 \times 40$ X 1PC



STRAP $197 \times 5 \times 1$ X 1PC



FLATHEAD SCREW $\phi 4 \times 25$ X 1PC



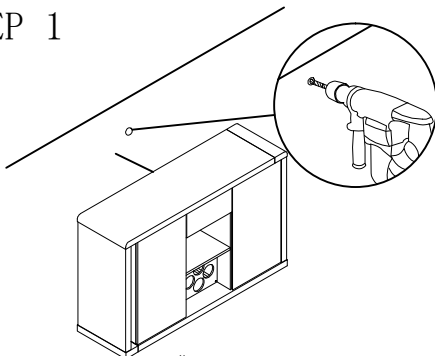
DRILL & DRILL BIT



LIGHT HAMMER

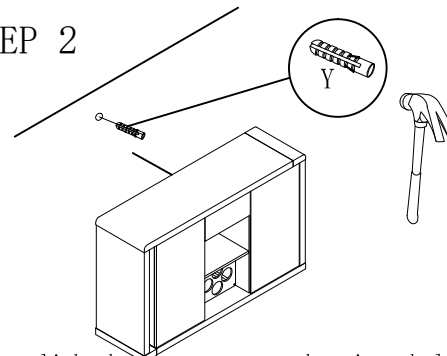
Note: Hardware included only compatible with standard drywalls.

STEP 1



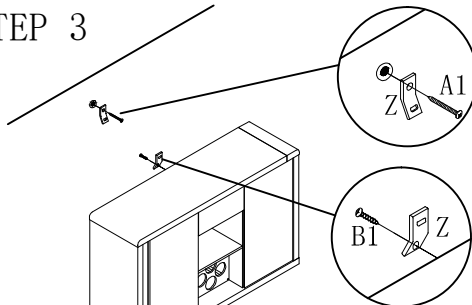
1. Find spot on wall 1" below top of item.
2. Using a drill bit slightly thinner than anchor, drill hole into drywall.

STEP 2



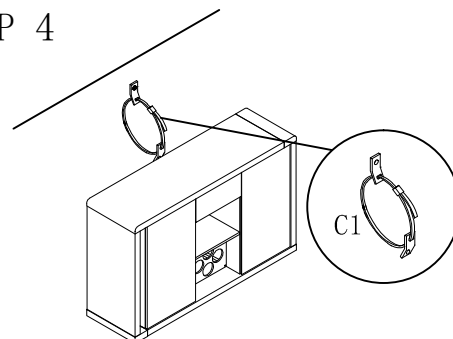
1. Use a light hammer to tap anchor into hole.
2. Anchor should fit snugly. If hole is too small, drill again to increase hole size. Do not force anchor into wall.

STEP 3



1. Insert drywall screw into metal bracket and into drywall anchor.
2. Insert flathead screw into second metal bracket and into back of item, along top edge.

STEP 4



1. Insert strap thru bracket attached to wall, then thru bracket on item, and into head of strap.
 2. pull lightly til strap stops.
- Assembly is complete.